

## Application

This series of fuses are suitable for AC 50-60 Hz , rated voltage up to 690V and rated current up to 63a . It is mainly used as short circuit protection ( GG / GL ) of electrical circuit and can also be derived into semiconductor equipment-and its complete assembly of short circuit protection ( AR ) and motor short circuit protection ( AM ) . The rated breaking capacity of this series of fuses is up to 50KA.



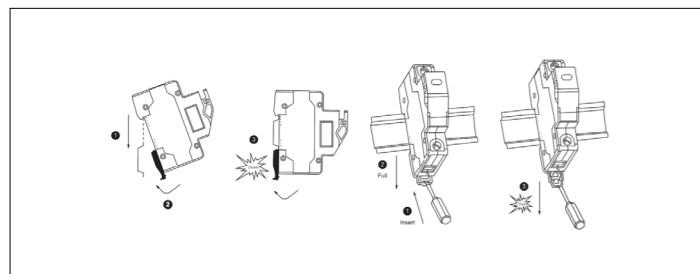
## Specifications

Product Model	RT18-63X
Pole	1P
Colour	White
Rated Current (A)	2, 4, 6, 8, 10, 12, 16, 20, 25, 32, 40, 50, 63
Rated Voltage(V)	500
Breaking capacity(kA)	50
Installation	Rail installation
Fuse link size(mm2)	14*51

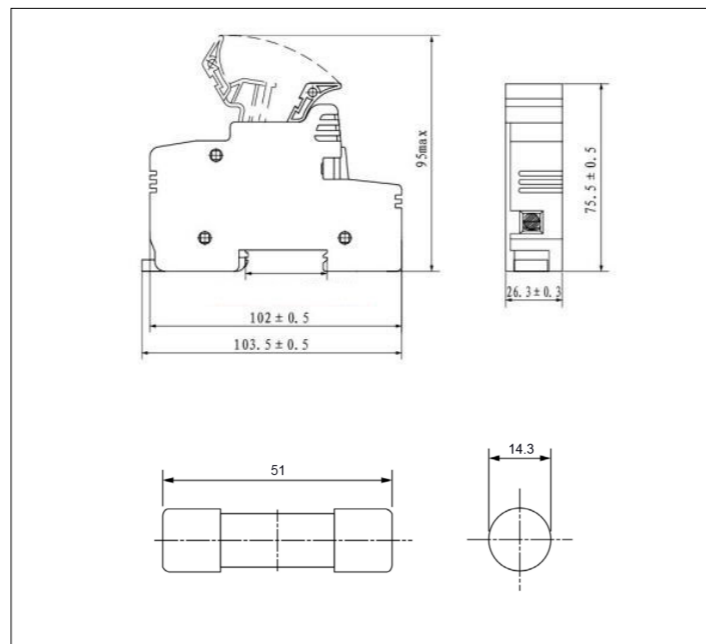
## Features

1. Din35 Rail Installation,Easy to Install
2. Adjustable terminal block,Wiring firm
3. Fire-retardant shell,high temperature resistance
4. Flexible installation,Easy to replace

## Installation



## Dimension



## Replacement fuse

